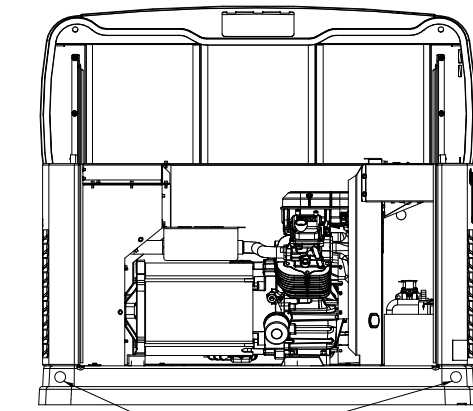
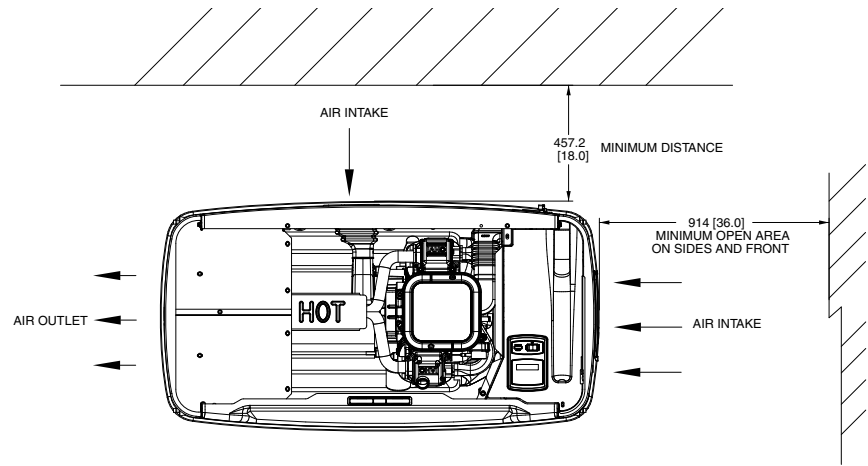


TRANSFER SWITCH
8KW - 17KW
(IF SUPPLIED)

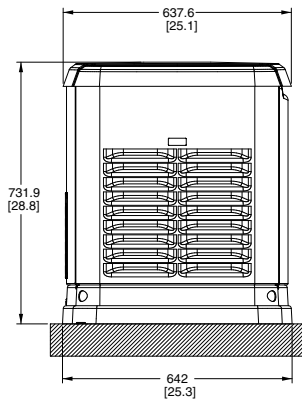
TRANSFER SWITCH
20KW
(IF SUPPLIED)



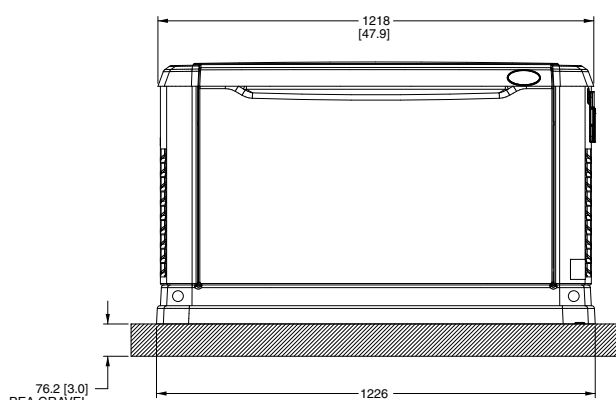
030.2 [01.2]
LIFTING HOLES 4 CORNERS



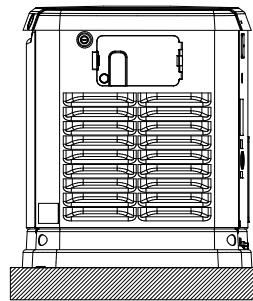
"DO NOT LIFT BY ROOF"



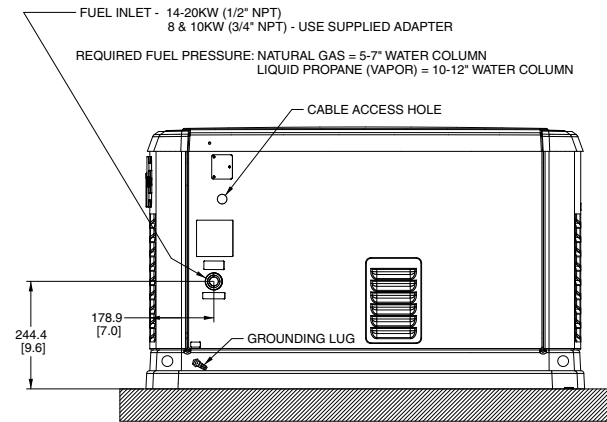
LEFT SIDE VIEW



FRONT VIEW



RIGHT SIDE VIEW



REAR VIEW

**ALL DIMENSIONS IN:
MILLIMETERS [INCHES]



8, 10, 14, & 17 kW Steel (Bisque)
17 & 20 kW Aluminum (Gray)

Bulletin 0176920SBY / Printed in U.S.A. 03.08

INSTALLATION DRAWING

0G8280-B

Air-Cooled Generators

410cc Single Cylinder 14.8 HP, 530cc V-Twin 18 HP,

992cc V-Twin 32 HP and 999cc V-Twin 36 HP

ISSUE DATE 01/29/08